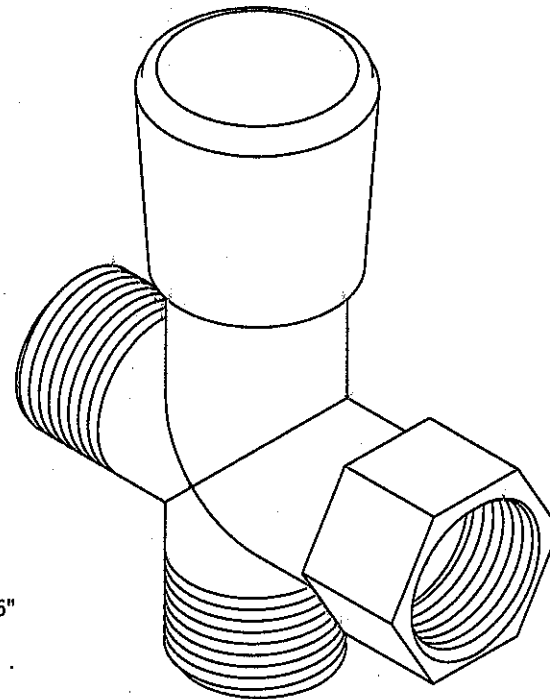
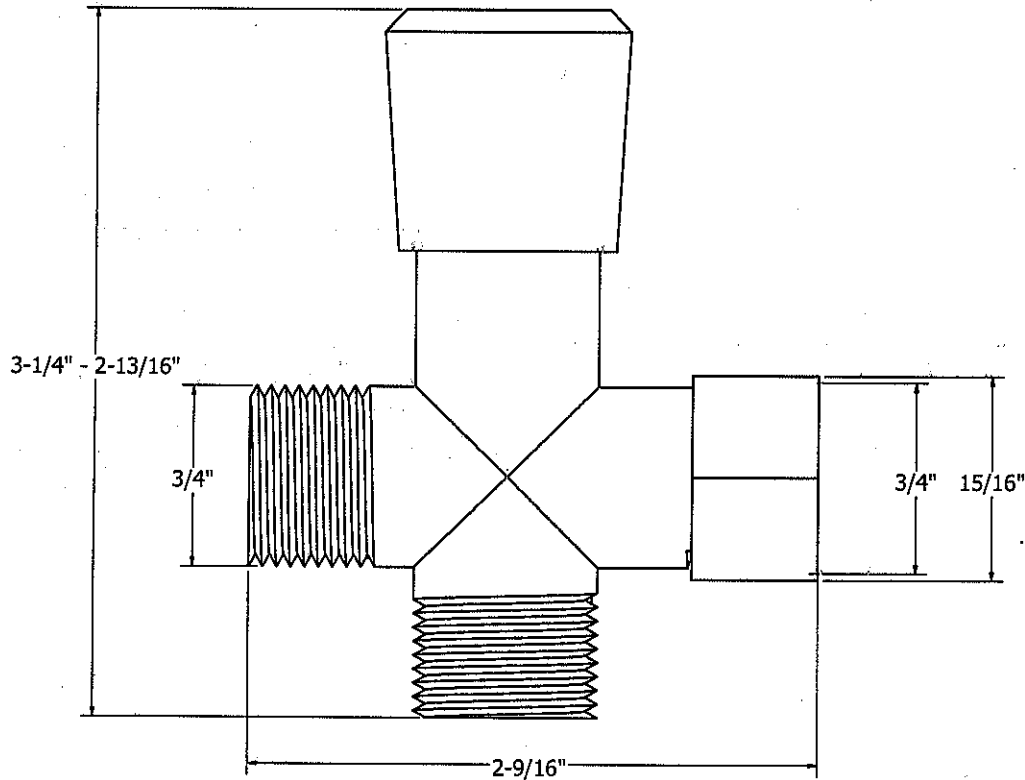
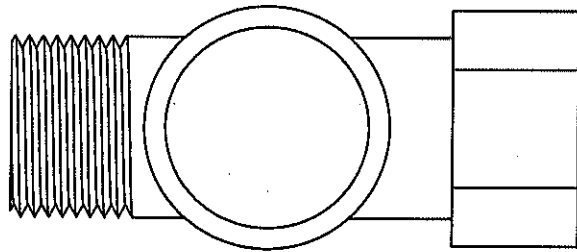


SHOWER DIVERTER VALVE



PHONE NUMBER
1-800-355-6637
 FAX NUMBER
1-800-462-6991
 SCALE 2.5 : 1 DATE 6-22-12
 SHEET 1 OF 1
 DRAWN BY
 ASHLEY KRALOVEC

PART NO.	S01070	S01071	S01072	S01073
FINISH	CHROME PLATED	BRUSHED NICKEL	OIL RUBBED BRONZE	OLD WORLD BRONZE